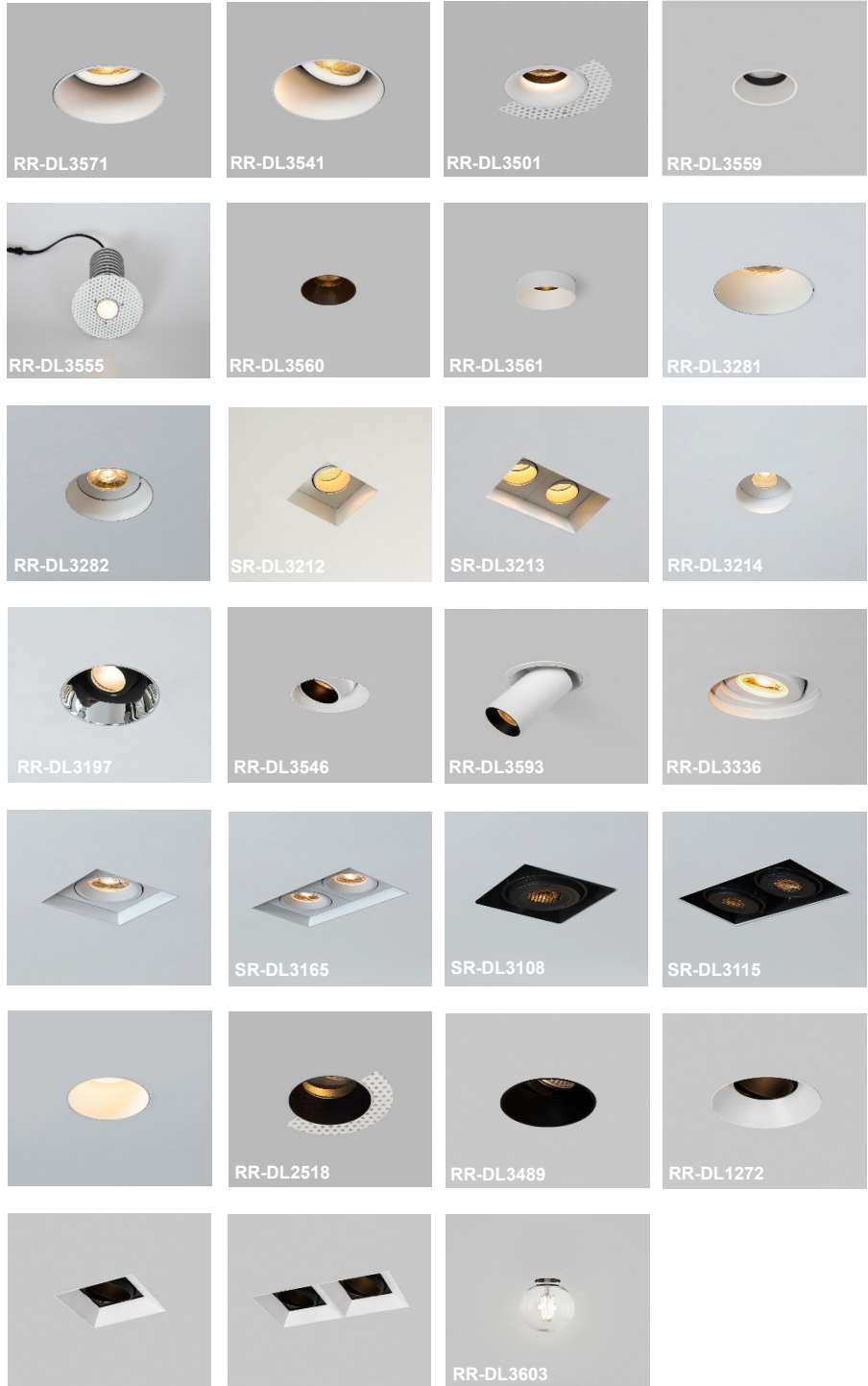


# LED LIGHTING

## CATALOGUE

VER. 01



## TRIMLESS

TRIMLESS LED recessed fixture is ideal for retrofit and new construction residential and commercial application. Our efficient, shape, style with architectural-grade structure, making these products are perfect solution for variety of architectural projects.

**Litesyn**  
Your Luminaire craftsman

IDP Power Technology Ltd  
www.idppowertech.com  
email: idppowertech@gmail.com

## TRIMLESS/SPOT LIGHT/FIXED/ANTI-GLARE

**Model: RR-DL3571**



### Feature:

- Ceiling Recessed, Trimless kit type
- Stylish Arc appearance
- Anti-glare design

### Technical data:

▪ Light source	Citizen COB or others
▪ LED Power (max)	12.6W (350mA, 36V)
▪ System Power (ref.)	15W <small>(ref. only depends on the ECG)</small>
▪ Lumen flux (typ.)	1000lm
▪ Colour temperature	2700K, 3000K, 4000K
▪ Colour rendering index	Ra $\geq$ 90
▪ MacAdam Step	3
▪ Beam Angle	24D, 36D
▪ Tilttable	No
▪ Ingress protection	IP44
▪ Operation temperature	0-40C
▪ Protection Class	III
▪ LED Lifetime	50,000h L70B10
▪ Finishing	White RAL9003/Black RAL9005
▪ Construction	Aluminum
▪ Installation	Trimless , Ceiling Recessed
▪ Dimension	70mm(OD)x107mm(H)/Cutout 78mm
▪ LED Driver	Remote

### Electronic control gear

NON-DIM/Dimmable

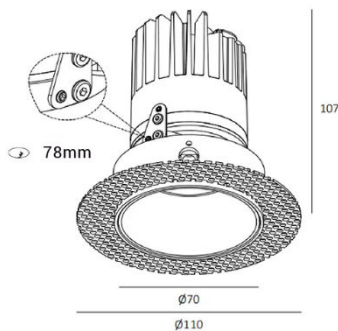
**IDP** MP series

1-10V/0-10V/DALI

**IDP** SC series

Other brand is available upon request

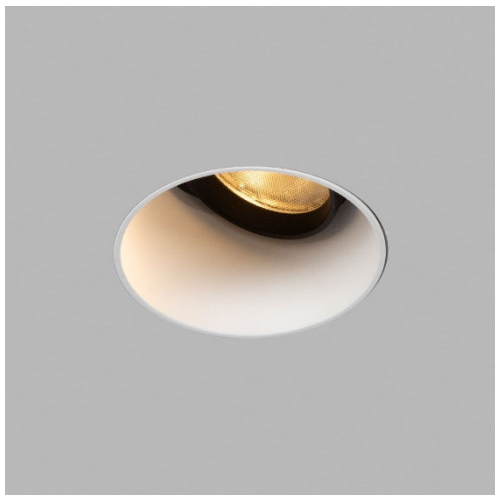
\*Use IDP multi-power LED Driver can trim down the output power according to actual application.



**\*\*The specification is subject to change without note.\*\***

## TRIMLESS/SPOT LIGHT/TILTABLE/ANTI-GLARE

**Model: RR-DL3541**



### Feature:

- Ceiling Recessed, Trimless kit type
- Stylish Arc appearance
- Anti-glare design with 25degree tiltable

### Technical data:

▪ Light source	Citizen COB or others
▪ LED Power (max)	12.6W (350mA, 36V)
▪ System Power (ref.)	15W <small>(ref. only depends on the ECG)</small>
▪ Lumen flux (typ.)	1000lm
▪ Colour temperature	2700K, 3000K, 4000K
▪ Colour rendering index	Ra≥90
▪ MacAdam Step	3
▪ Beam Angle	24D, 36D
▪ Tilttable	Yes
▪ Ingress protection	IP44
▪ Operation temperature	0-40C
▪ Protection Class	III
▪ LED Lifetime	50,000h L70B10
▪ Finishing	White RAL9003/Black RAL9005
▪ Construction	Aluminum
▪ Installation	Trimless , Ceiling Recessed
▪ Dimension	70mm(OD)x107mm(H)
▪ LED Driver	Remote

### Electronic control gear

NON-DIM/Dimmable

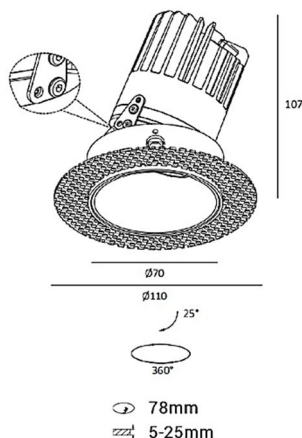
**IDP** MP series

1-10V/0-10V/DALI

**IDP** SC series

Other brand is available upon request

\*Use IDP multi-power LED Driver can trim down the output power according to actual application.



**\*\*The specification is subject to change without note.\*\***

## TRIMLESS/SPOT LIGHT/FIXED/ANTI-GLARE

**Model: RR-DL3501**



### Feature:

- Ceiling Recessed, Trimless kit type
- Stylish Arc appearance
- Anti-glare design

### Technical data:

▪ Light source	Citizen COB or others
▪ LED Power (max)	9W (250mA, 36V)
▪ System Power (ref.)	11W <small>(ref. only depends on the ECG)</small>
▪ Lumen flux (typ.)	850lm
▪ Colour temperature	2700K, 3000K, 4000K
▪ Colour rendering index	Ra $\geq$ 90
▪ MacAdam Step	3
▪ Beam Angle	24D, 36D
▪ Tiltable	No
▪ Ingress protection	IP44
▪ Operation temperature	0-40C
▪ Protection Class	III
▪ LED Lifetime	50,000h L70B10
▪ Finishing	White RAL9003/Black RAL9005
▪ Construction	Aluminum
▪ Installation	Trimless, Ceiling Recessed
▪ Dimension	66mm(OD)x66mm(H)/Cutout 80mm
▪ LED Driver	Remote

### Electronic control gear

NON-DIM/Dimmable

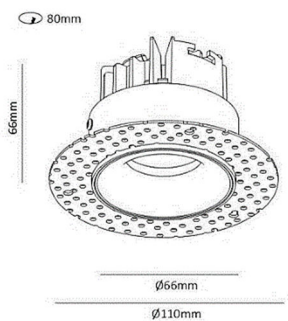
**IDP** MP series

1-10V/0-10V/DALI

**IDP** SC series

Other brand is available upon request

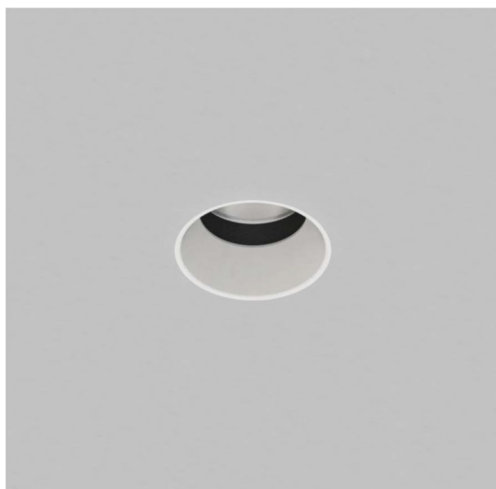
\*Use IDP multi-power LED Driver can trim down the output power according to actual application.



**\*\*The specification is subject to change without note.\*\***

## TRIMLESS/SPOT LIGHT/FIXED/ANTI-GLARE/30mm

**Model: RR-DL3559**



### Feature:

- Ceiling Recessed
- Trimless deep type
- Extra low UGR design

### Technical data:

- |                          |                                   |
|--------------------------|-----------------------------------|
| ▪ Light source           | Citizen COB or others             |
| ▪ LED Power (max)        | 6.5W (180mA, 36V)                 |
| ▪ System Power (ref.)    | 8W (ref. only depends on the ECG) |
| ▪ Lumen flux (typ.)      | 600lm                             |
| ▪ Colour temperature     | 2700K, 3000K, 4000K               |
| ▪ Colour rendering index | Ra $\geq$ 90                      |
| ▪ MacAdam Step           | 3                                 |
| ▪ Beam Angle             | 20D, 30D, 40D Lens type           |
| ▪ Tilttable              | No                                |
| ▪ Ingress protection     | IP21                              |
| ▪ Operation temperature  | 0-40C                             |
| ▪ Protection Class       | III                               |
| ▪ LED Lifetime           | 50,000h L70B10                    |
| ▪ Finishing              | White RAL9003/Black RAL9005       |
| ▪ Construction           | Aluminum                          |
| ▪ Installation           | Trimless, Ceiling Recessed        |
| ▪ Dimension              | 30mm(OD)x90mm(H)                  |
| ▪ LED Driver             | Remote                            |

### Electronic control gear

NON-DIM/Dimmable

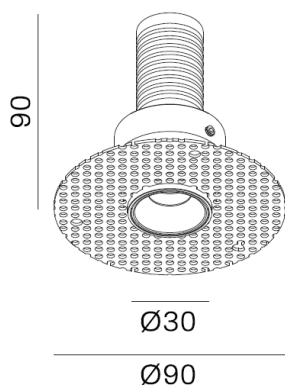
**IDP** MP series

1-10V/0-10V/DALI

**IDP** SC series

Other brand is available upon request

\*Use IDP multi-power LED Driver can trim down the output power according to actual application.



### Light Distribution For 3000K

spot 18°			medium 32°			wide 39°		
h(m)	E(lx)	ø(m)	h(m)	E(lx)	ø(m)	h(m)	E(lx)	ø(m)
1	2149	ø0.31	1	633.2	ø0.58	1	442.2	ø0.71
2	537.2	ø0.63	2	158.3	ø1.16	2	110.6	ø1.43
3	238.8	ø0.95	3	70.36	ø1.74	3	49.14	ø2.15
4	134.3	ø1.26	4	39.58	ø2.32	4	27.64	ø2.87
5	85.95	ø1.58	5	25.33	ø2.90	5	17.69	ø3.58

\*\*The specification is subject to change without note.\*\*

## TRIMLESS/SPOT LIGHT/FIXED/ANTI-GLARE/30mm/UP to 20W

**Model: RR-DL3555**



### Feature:

- Ceiling Recessed with flood beam
- Trimless deep type
- 30m light aperture up to 18W LED power

### Technical data:

- Light source Citizen COB or others
- LED Power (max) 18W (500mA, 36V)
- System Power (ref.) 21W (ref. only depends on the ECG)
- Lumen flux (typ.) 1500lm
- Colour temperature 2700K, 3000K, 4000K
- Colour rendering index  $Ra \geq 90$
- MacAdam Step 3
- Beam Angle 60D Lens type
- Tilttable No
- Ingress protection IP21
- Operation temperature 0-40C
- Protection Class III
- LED Lifetime 50,000h L70B10
- Finishing White RAL9003/Black RAL9005
- Construction Aluminum
- Installation Trimless, Ceiling Recessed
- Dimension Refer to drawing
- LED Driver Remote, to be fitted in self - maintainable area

### Electronic control gear

NON-DIM/Dimmable

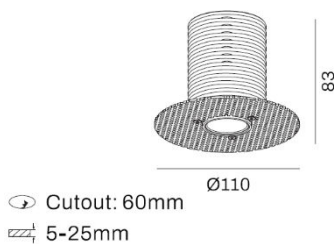
**IDP** MP series

1-10V/0-10V/DALI

**IDP** SC series

Other brand is available upon request

\*Use IDP multi-power LED Driver can trim down the output power according to actual application.



### Light Distribution For 3000K

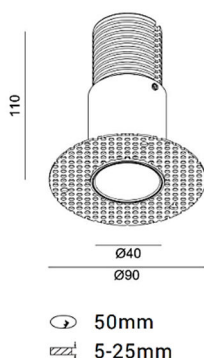
wide 55.3°

h(m)	E(lx)	Ø(m)
1	1475	Ø1.04
2	368.7	Ø2.10
3	163.9	Ø3.14
4	92.17	Ø4.19
5	58.99	Ø5.24

**\*\*The specification is subject to change without note.\*\***

## TRIMLESS/SPOT LIGHT/FIXED/DEEP RECESSED/2 LEVELS

**Model: RR-DL3560**



### Feature:

- Deep ceiling Recessed
- Trimless with 2 levels selection
- Low glare

### Technical data:

- Light source Luminus COB or others
- LED Power (max) 9W (500mA, 18V)
- System Power (ref.) 11W (ref. only depends on the ECG)
- Lumen flux (typ.) 750lm
- Colour temperature 2700K, 3000K, 4000K
- Colour rendering index  $Ra \geq 90$
- MacAdam Step 3
- Beam Angle 12D, 24D, 36D Lens type
- Tilttable No ( Two levels selection)
- Ingress protection IP21
- Operation temperature 0-40C
- Protection Class III
- LED Lifetime 50,000h L70B10
- Finishing White RAL9003/Black RAL9005
- Construction Aluminum
- Installation Trimless, Ceiling Recessed
- Dimension Refer to drawing
- LED Driver Remote, to be fitted in self - maintainable area

### Electronic control gear

NON-DIM/Dimmable

**IDP** MP series

1-10V/0-10V/DALI

**IDP** SC series

Other brand is available upon request

\*Use IDP multi-power LED Driver can trim down the output power according to actual application.

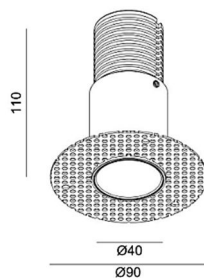
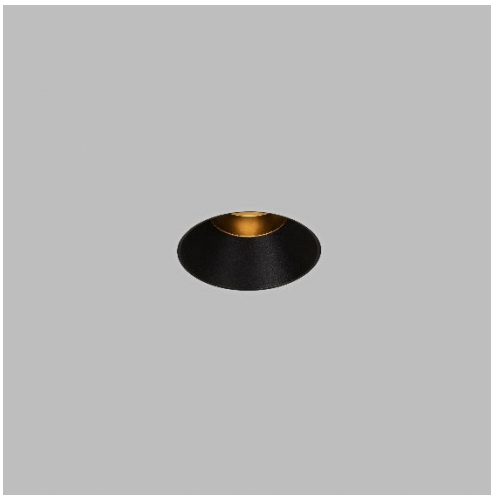
LIGHT DISTRIBUTION for 3000K  
wide 36.2°

h(m)	E(lx)	Ø(m)
1	2020	Ø0.65
2	530	Ø1.30
3	235.5	Ø1.95
4	132.5	Ø2.60
5	84.8	Ø3.25

\*\*The specification is subject to change without note.\*\*

## TRIMLESS/SPOT LIGHT/FIXED/DEEP RECESSED/3 LEVELS

**Model: RR-DL3561**



50mm  
5-25mm

### Feature:

- Deep ceiling Recessed
- Trimless with 3 levels selection
- Low glare

### Technical data:

- Light source Luminus COB or others
- LED Power (max) 9W (500mA, 18V)
- System Power (ref.) 11W (ref. only depends on the ECG)
- Lumen flux (typ.) 750lm
- Colour temperature 2700K, 3000K, 4000K
- Colour rendering index  $Ra \geq 90$
- MacAdam Step 3
- Beam Angle 12D, 24D, 36D Lens type
- Tilttable No (3 levels high selection)
- Ingress protection IP21
- Operation temperature 0-40C
- Protection Class III
- LED Lifetime 50,000h L70B10
- Finishing White RAL9003/Black RAL9005
- Construction Aluminum
- Installation Trimless, Ceiling Recessed
- Dimension Refer to drawing
- LED Driver Remote, to be fitted in self - maintainable area

### Electronic control gear

NON-DIM/Dimmable

**IDP** MP series

1-10V/0-10V/DALI

**IDP** SC series

Other brand is available upon request

\*Use IDP multi-power LED Driver can trim down the output power according to actual application.

LIGHT DISTRIBUTION for 3000K  
wide 36.2°

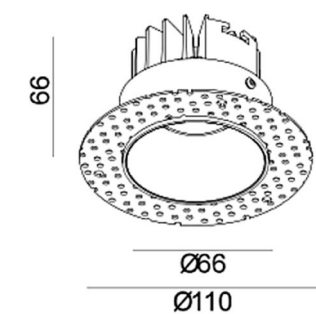
h(m)	E(lx)	Ø(m)
1	2020	Ø0.65
2	530	Ø1.30
3	235.5	Ø1.95
4	132.5	Ø2.60
5	84.8	Ø3.25

\*\*The specification is subject to change without note.\*\*



## TRIMLESS/SPOT LIGHT/FIXED/RECESSED

**Model: RR-DL3281**



Ⓢ Cutout:80mm

### Feature:

- Deep ceiling Recessed
- Trimless design
- Low glare

### Technical data:

- Light source CREE COB or others
- LED Power (max) 9W (250mA, 36V)
- System Power (ref.) 11W (ref. only depends on the ECG)
- Lumen flux (typ.) 650lm
- Colour temperature 2700K, 3000K, 4000K
- Colour rendering index Ra $\geq$ 90
- MacAdam Step 3
- Beam Angle 24D, 36D, 60D Lens type
- Tilttable No
- Ingress protection IP21
- Operation temperature 0-40C
- Protection Class III
- LED Lifetime 50,000h L70B10
- Finishing White RAL9003/Black RAL9005
- Construction Aluminum
- Installation Trimless, Ceiling Recessed
- Dimension 66mm(OD)x66mm(H)/Cutout 80mm
- LED Driver Remote

### Electronic control gear

NON-DIM/Dimmable

**IDP** MP series

1-10V/0-10V/DALI

**IDP** SC series

Other brand is available upon request

\*Use IDP multi-power LED Driver can trim down the output power according to actual application.

### LIGHT DISTRIBUTION for 3000K medium 36°

h(m)	E(lx)	Ø(m)
1	1218	Ø0.65
2	304.6	Ø1.30
3	135.4	Ø1.95
4	76.15	Ø2.60
5	48.74	Ø3.25

Photometric 3000K 36D Ra.90

\*\*The specification is subject to change without note.\*\*

## TRIMLESS/SPOT LIGHT/TILTABLE/RECESSED

**Model: RR-DL3282**



### Feature:

- Deep ceiling Recessed
- Trimless design
- Low glare

### Technical data:

- Light source CREE COB or others
- LED Power (max) 9W (250mA, 36V)
- System Power (ref.) 11W (ref. only depends on the ECG)
- Lumen flux (typ.) 650lm
- Colour temperature 2700K, 3000K, 4000K
- Colour rendering index Ra $\geq$ 90
- MacAdam Step 3
- Beam Angle 24D, 36D, 60D Lens type
- Tilttable Yes
- Ingress protection IP21
- Operation temperature 0-40C
- Protection Class III
- LED Lifetime 50,000h L70B10
- Finishing White RAL9003/Black RAL9005
- Construction Aluminum
- Installation Trimless, Ceiling Recessed
- Dimension 78mm(OD)x66mm(H)/Cutout 90mm
- LED Driver Remote

### Electronic control gear

NON-DIM/Dimmable

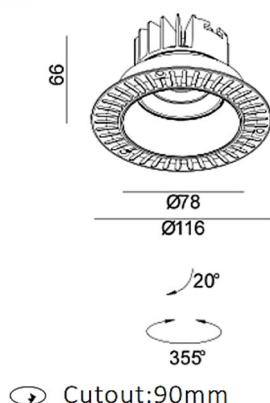
**IDP** MP series

1-10V/0-10V/DALI

**IDP** SC series

Other brand is available upon request

\*Use IDP multi-power LED Driver can trim down the output power according to actual application.



### LIGHT DISTRIBUTION for 3000K medium 36°

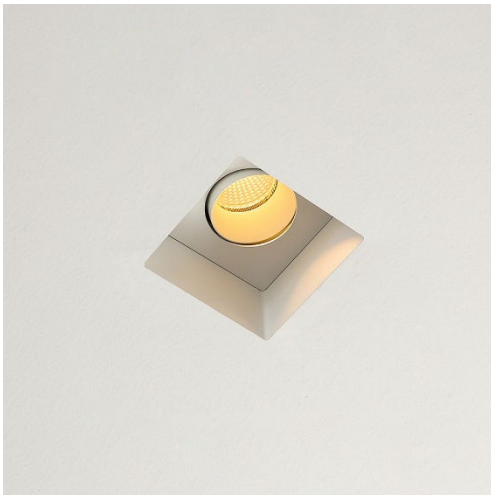
h(m)	E(lx)	Ø(m)
1	1218	Ø0.65
2	304.6	Ø1.30
3	135.4	Ø1.95
4	76.15	Ø2.60
5	48.74	Ø3.25

Photometric 3000K 36D Ra.90

\*\*The specification is subject to change without note.\*\*

## TRIMLESS/SPOT LIGHT/TILTABLE/RECESSED/SQUARE

**Model: SR-DL3212**



### Feature:

- Deep SQUARE ceiling Recessed
- Trimless design
- EXTRA Low glare

### Technical data:

- |                          |                                   |
|--------------------------|-----------------------------------|
| ▪ Light source           | CREE COB or others                |
| ▪ LED Power (max)        | 7.2W (200mA, 36V)                 |
| ▪ System Power (ref.)    | 9W (ref. only depends on the ECG) |
| ▪ Lumen flux (typ.)      | 550lm                             |
| ▪ Colour temperature     | 2700K, 3000K, 4000K               |
| ▪ Colour rendering index | Ra $\geq$ 90                      |
| ▪ MacAdam Step           | 3                                 |
| ▪ Beam Angle             | 12D, 24D, 36D Reflector type      |
| ▪ Tiltable               | Yes                               |
| ▪ Ingress protection     | IP21                              |
| ▪ Operation temperature  | 0-40C                             |
| ▪ Protection Class       | III                               |
| ▪ LED Lifetime           | 50,000h L70B10                    |
| ▪ Finishing              | White RAL9003/Black RAL9005       |
| ▪ Construction           | Aluminum                          |
| ▪ Installation           | Trimless, Ceiling Recessed        |
| ▪ Dimension              | 70x70mm/Cutout 74x74mm            |
| ▪ LED Driver             | Remote                            |

### Electronic control gear

NON-DIM/Dimmable

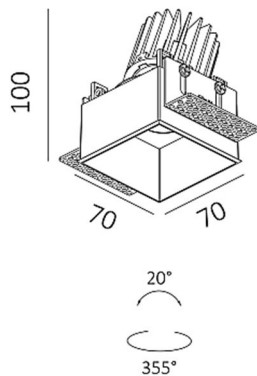
**IDP** MP series


1-10V/0-10V/DALI

**IDP** SC series

Other brand is available upon request

\*Use IDP multi-power LED Driver can trim down the output power according to actual application.

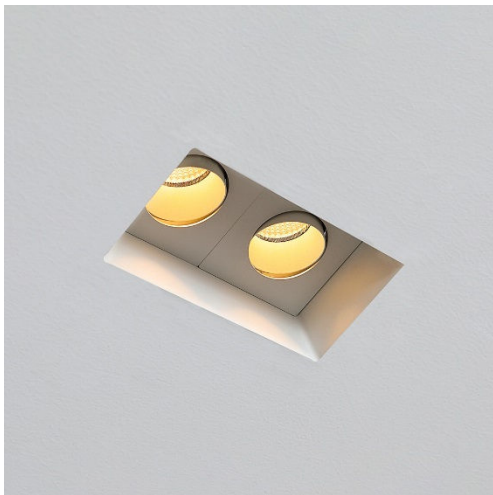


 Cutout: 74\*74mm

**\*\*The specification is subject to change without note.\*\***

## TRIMLESS/SPOT LIGHT/TILTABLE/RECESSED/SQUARE TWIN HEADS

**Model: SR-DL3213**



### Feature:

- Deep SQUARE ceiling Recessed
- Trimless design
- EXTRA Low glare

### Technical data:

- |                          |                                     |
|--------------------------|-------------------------------------|
| ▪ Light source           | CREE COB or others                  |
| ▪ LED Power (max)        | 2x7.2W (200mA, 36V)                 |
| ▪ System Power (ref.)    | 2x9W (ref. only depends on the ECG) |
| ▪ Lumen flux (typ.)      | 2x550lm                             |
| ▪ Colour temperature     | 2700K, 3000K, 4000K                 |
| ▪ Colour rendering index | Ra≥90                               |
| ▪ MacAdam Step           | 3                                   |
| ▪ Beam Angle             | 12D, 24D, 36D Reflector type        |
| ▪ Tilttable              | Yes                                 |
| ▪ Ingress protection     | IP21                                |
| ▪ Operation temperature  | 0-40C                               |
| ▪ Protection Class       | III                                 |
| ▪ LED Lifetime           | 50,000h L70B10                      |
| ▪ Finishing              | White RAL9003/Black RAL9005         |
| ▪ Construction           | Aluminum                            |
| ▪ Installation           | Trimless, Ceiling Recessed          |
| ▪ Dimension              | 134x70mm/Cutout 137x73mm            |
| ▪ LED Driver             | Remote                              |

### Electronic control gear

NON-DIM/Dimmable

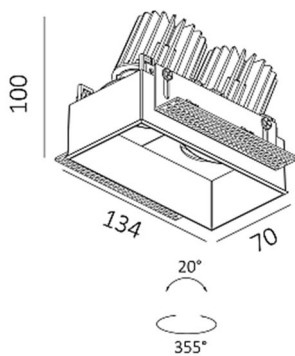
**IDP** MP series


1-10V/0-10V/DALI

**IDP** SC series

Other brand is available upon request

\*Use IDP multi-power LED Driver can trim down the output power according to actual application.



 Cutout:137\*73mm

**\*\*The specification is subject to change without note.\*\***

## TRIMLESS/SPOT LIGHT/FIXED/RECESSED/ROUND

**Model: RR-DL3214**



### Feature:

- Deep ceiling Recessed
- Trimless design
- EXTRA Low glare

### Technical data:

▪ Light source	CREE COB or others
▪ LED Power (max)	7.2W (200mA, 36V)
▪ System Power (ref.)	9W <small>(ref. only depends on the ECG)</small>
▪ Lumen flux (typ.)	550lm
▪ Colour temperature	2700K, 3000K, 4000K
▪ Colour rendering index	Ra $\geq$ 90
▪ MacAdam Step	3
▪ Beam Angle	12D, 24D, 36D Reflector type
▪ Tilttable	No
▪ Ingress protection	IP21
▪ Operation temperature	0-40C
▪ Protection Class	III
▪ LED Lifetime	50,000h L70B10
▪ Finishing	White RAL9003/Black RAL9005
▪ Construction	Aluminum
▪ Installation	Trimless, Ceiling Recessed
▪ Dimension	70mm(OD)x82mm(H)/Cutout 73mm
▪ LED Driver	Remote

### Electronic control gear

NON-DIM/Dimmable

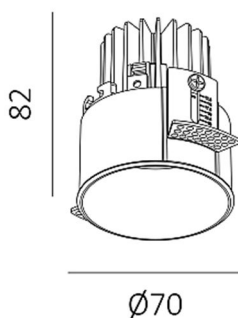
**IDP** MP series

1-10V/0-10V/DALI

**IDP** SC series

Other brand is available upon request

\*Use IDP multi-power LED Driver can trim down the output power according to actual application.

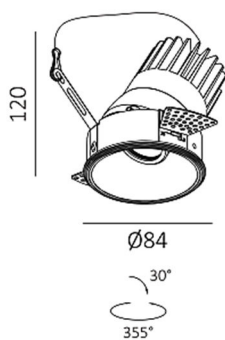


➤ Cutout:73mm

**\*\*The specification is subject to change without note.\*\***

## TRIMLESS/SPOT LIGHT/TILTABLE/RECESSED/DOUBLE REFLECTOR

**Model: RR-DL3197**



Ⓞ Cutout:85mm

### Feature:

- Deep ceiling Recessed
- Trimless design with double reflector
- EXTRA Low glare

### Technical data:

- Light source CREE COB or others
- LED Power (max) 12.6W (350mA, 36V)
- System Power (ref.) 15W (ref. only depends on the ECG)
- Lumen flux (typ.) 800lm
- Colour temperature 2700K, 3000K, 4000K
- Colour rendering index Ra $\geq$ 90
- MacAdam Step 3
- Beam Angle 15D, 24D, 36D Reflector type
- Tiltable Yes
- Ingress protection IP21
- Operation temperature 0-40C
- Protection Class III
- LED Lifetime 50,000h L70B10
- Finishing White RAL9003/Black RAL9005
- Baffle Finishing White/Black/Chrome
- Construction Aluminum
- Installation Trimless, Ceiling Recessed
- Dimension 84mm(OD)x120mm(H)/Cutout 85mm
- LED Driver Remote

### Electronic control gear

NON-DIM/Dimmable

**IDP** MP series

1-10V/0-10V/DALI

**IDP** SC series

Other brand is available upon request

\*Use IDP multi-power LED Driver can trim down the output power according to actual application.

### LIGHT DISTRIBUTION for 2700K wide 33°

h(m)	E(lx)	Ø(m)
1	2665	Ø0.60
2	666.2	Ø1.20
3	296.1	Ø1.80
4	166.6	Ø2.40
5	106.6	Ø3.00

Photometric 2700K 36D Ra.90

**\*\*The specification is subject to change without note.\*\***

## TRIMLESS/SPOT LIGHT/TILTABLE/RECESSED/SNOOT

**Model: RR-DL3546**



### Feature:

- Deep ceiling Recessed
- Trimless design with SNOOT
- EXTRA Low glare

### Technical data:

▪ Light source	COB or others
▪ LED Power (max)	9W (250mA, 36V)
▪ System Power (ref.)	11W <small>(ref. only depends on the ECG)</small>
▪ Lumen flux (typ.)	800lm
▪ Colour temperature	2700K, 3000K, 4000K
▪ Colour rendering index	Ra $\geq$ 90
▪ MacAdam Step	3
▪ Beam Angle	15D, 24D, 36D Reflector type
▪ Tiltable	Yes
▪ Ingress protection	IP21
▪ Operation temperature	0-40C
▪ Protection Class	III
▪ LED Lifetime	50,000h L70B10
▪ Finishing	White RAL9003/Black RAL9005
▪ Baffle Finishing	Black
▪ Construction	Aluminum
▪ Installation	Trimless, Ceiling Recessed
▪ Dimension	78mm(OD)x78mm(H)/Cutout 90mm
▪ LED Driver	Remote

### Electronic control gear

NON-DIM/Dimmable

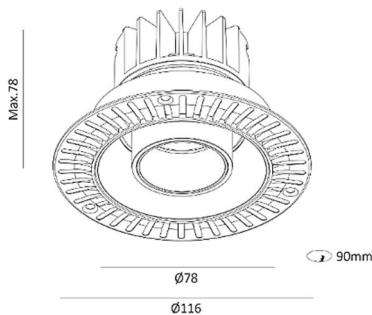
**IDP** MP series

1-10V/0-10V/DALI

**IDP** SC series

Other brand is available upon request

\*Use IDP multi-power LED Driver can trim down the output power according to actual application.



**\*\*The specification is subject to change without note.\*\***

## TRIMLESS/SPOT LIGHT/TILTABLE

**Model: RR-DL3593**



### Feature:

- Compact size with trimless design
- Semi Recessed with adjustable spot light
- Low UGR

### Technical data:

- Light source COB or others
- LED Power (max) 7.2W (200mA, 36V)
- System Power (ref.) 9W (ref. only depends on the ECG)
- Lumen flux (typ.) 700lm
- Colour temperature 2700K, 3000K, 4000K
- Colour rendering index Ra $\geq$ 90
- MacAdam Step 3
- Beam Angle 15D, 24D, 36D PMMA Lens
- Tilttable Yes
- Ingress protection IP21
- Operation temperature 0-40C
- Protection Class III
- LED Life time 50,000h L70B10
- Finishing White/Black
- Baffle finishing Black
- Construction Aluminum
- Installation Ceiling Recessed, spring type
- Dimension Refer to drawing
- LED Driver Remote

### Electronic control gear

NON-DIM/Dimmable

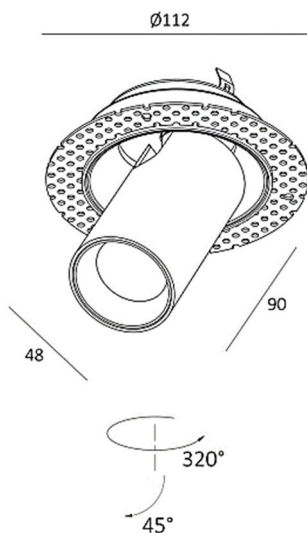
**IDP** MP series

1-10V/0-10V/DALI

**IDP** SC series

Other brand is available upon request

\*Use IDP multi-power LED Driver can trim down the output power according to actual application.



### LIGHT DISTRIBUTION for 3000K medium 23°

h(m)	E(lx)	Ø(m)
1	1660	Ø0.39
2	415.1	Ø0.79
3	184.5	Ø1.19
4	103.8	Ø1.59
5	66.41	Ø1.98

**\*\*The specification is subject to change without note.\*\***



## TRIMLESS/SPOT LIGHT/TILTABLE/RECESSED

**Model: RR-DL3336**



### Feature:

- Compact design with 51mm Height
- Trimless design
- Gimble tilt 25 degree

### Technical data:

- Light source CREE COB or others
- LED Power (max) 7.2W (200mA, 36V)
- System Power (ref.) 9W (ref. only depends on the ECG)
- Lumen flux (typ.) 600lm
- Colour temperature 2700K, 3000K, 4000K
- Colour rendering index Ra $\geq$ 90
- MacAdam Step 3
- Beam Angle 24D, 36D, 45D Lens type
- Tiltable Yes
- Ingress protection IP21
- Operation temperature 0-40C
- Protection Class III
- LED Lifetime 50,000h L70B10
- Finishing White RAL9003/Black RAL9005
- Construction Aluminum
- Installation Trimless, Ceiling Recessed
- Dimension 86mm(OD)x51mm(H)/Cutout 100mm
- LED Driver Remote

### Electronic control gear

NON-DIM/Dimmable

**IDP** MP series

1-10V/0-10V/DALI

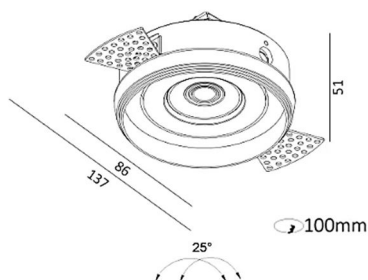
**IDP** SC series

Other brand is available upon request

\*Use IDP multi-power LED Driver can trim down the output power according to actual application.

### Light Distribution For 2700K wide 46°

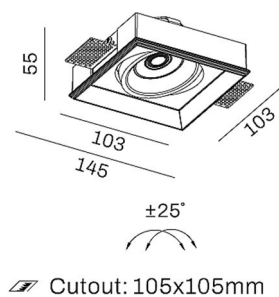
h(m)	E(lx)	ø(m)
1	971.4	ø0.85
2	242.8	ø1.70
3	107.9	ø2.55
4	60.71	ø3.40
5	38.85	ø4.25



\*\*The specification is subject to change without note.\*\*

## TRIMLESS/SPOT LIGHT/GIMBLE/RECESSED/SQUARE

**Model: SR-DL3163**



### Feature:

- Step in square trimless spot light
- Low UGR
- Gimble tilt 25 degree

### Technical data:

- Light source COB or others
- LED Power (max) 7.2W (200mA, 36V)
- System Power (ref.) 9W (ref. only depends on the ECG)
- Lumen flux (typ.) 600lm
- Colour temperature 2700K, 3000K, 4000K
- Colour rendering index Ra $\geq$ 90
- MacAdam Step 3
- Beam Angle 24D,36D, 45D PMMA Lens
- Tilttable Yes
- Ingress protection IP21
- Operation temperature 0-40C
- Protection Class III
- LED Lifetime 50,000h L70B10
- Finishing White RAL9003/Black RAL9005
- Construction Aluminum
- Installation Trimless, Ceiling Recessed
- Dimension 103x103mm/Cutout 105x105mm
- LED Driver Remote

### Electronic control gear

NON-DIM/Dimmable

**IDP** MP series

1-10V/0-10V/DALI

**IDP** SC series

Other brand is available upon request

\*Use IDP multi-power LED Driver can trim down the output power according to actual application.

### Light Distribution For 3000K

medium 36°

wide 44°

h(m)	E(lx)	ø(m)	h(m)	E(lx)	ø(m)
1	955.6	ø0.81	1	738.7	ø0.83
2	238.9	ø1.62	2	184.7	ø1.67
3	106.2	ø2.43	3	82.08	ø2.51
4	59.73	ø3.24	4	46.17	ø3.34
5	38.23	ø4.06	5	29.55	ø4.17

\*\*The specification is subject to change without note.\*\*

## TRIMLESS/SPOT LIGHT/GIMBLE/RECESSED/SQUARE TWIN HEADS

**Model: SR-DL3165**



### Feature:

- Step in square trimless spot light
- Low UGR
- Gimble tilt 25 degree

### Technical data:

- Light source COB or others
- LED Power (max) 2x7.2W (200mA, 36V)
- System Power (ref.) 2x9W (ref. only depends on the ECG)
- Lumen flux (typ.) 2x600lm
- Colour temperature 2700K, 3000K, 4000K
- Colour rendering index  $Ra \geq 90$
- MacAdam Step 3
- Beam Angle 24D, 36D, 45D PMMA Lens
- Tiltable Yes
- Ingress protection IP21
- Operation temperature 0-40C
- Protection Class III
- LED Lifetime 50,000h L70B10
- Finishing White RAL9003/Black RAL9005
- Construction Aluminum
- Installation Trimless, Ceiling Recessed
- Dimension 188x103mm/Cutout 190x105mm
- LED Driver Remote

### Electronic control gear

NON-DIM/Dimmable

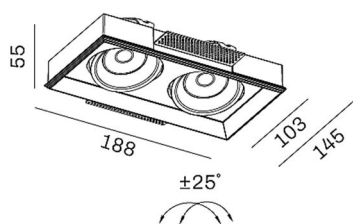
**IDP** MP series

1-10V/0-10V/DALI

**IDP** SC series

Other brand is available upon request

\*Use IDP multi-power LED Driver can trim down the output power according to actual application.



Cutout: 190x105mm

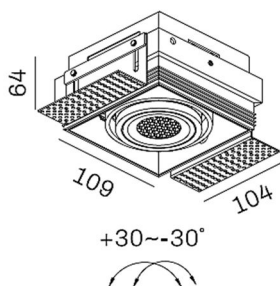
### Light Distribution For 2700K wide 45°

h(m)	E(lx)	ø(m)
1	1749	ø0.83
2	437,4	ø1.67
3	194,4	ø2.51
4	109,3	ø3.35
5	69.98	ø4.19

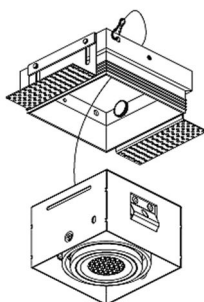
\*\*The specification is subject to change without note.\*\*

## TRIMLESS/SPOT LIGHT/GIMBLE/RECESSED/BOX

**Model: SR-DL3108**



Cutout: 113x105mm



### Feature:

- Single head trimless square gridded downlight
- Low UGR
- Gimble tilt 30 degree

### Technical data:

- Light source COB or others
- LED Power (max) 7.2W (200mA, 36V)
- System Power (ref.) 9W (ref. only depends on the ECG)
- Lumen flux (typ.) 600lm
- Colour temperature 2700K, 3000K, 4000K
- Colour rendering index Ra $\geq$ 90
- MacAdam Step 3
- Beam Angle 24D,36D, 45D PMMA Lens
- Tilttable Yes
- Ingress protection IP21
- Operation temperature 0-40C
- Protection Class III
- LED Lifetime 50,000h L70B10
- Finishing White RAL9003/Black RAL9005
- Construction Aluminum
- Installation Trimless, Ceiling Recessed
- Dimension 109x104mm/Cutout 113x105mm
- LED Driver Remote

### Electronic control gear

NON-DIM/Dimmable

**IDP** MP series

1-10V/0-10V/DALI

**IDP** SC series

Other brand is available upon request

\*Use IDP multi-power LED Driver can trim down the output power according to actual application.

### Light Distribution For 3000K

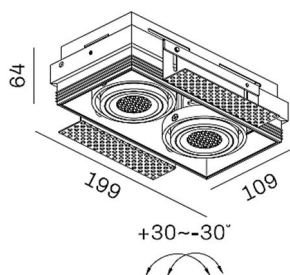
medium 31.4°

h(m)	E(lx)	∅(m)
1	1131	∅0.56
2	282.7	∅1.12
3	125.7	∅1.68
4	70.69	∅2.24
5	45.24	∅2.81

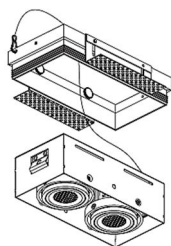
\*\*The specification is subject to change without note.\*\*

## TRIMLESS/SPOT LIGHT/GIMBLE/RECESSED/TWIN HEADS

**Model: SR-DL3115**



Cutout: 201x113mm



### Feature:

- TWIN head trimless square grilled downlight
- Low UGR
- Gimble tilt 30 degree

### Technical data:

- Light source COB or others
- LED Power (max) 2x7.2W (200mA, 36V)
- System Power (ref.) 2x9W (ref. only depends on the ECG)
- Lumen flux (typ.) 2x600lm
- Colour temperature 2700K, 3000K, 4000K
- Colour rendering index Ra $\geq$ 90
- MacAdam Step 3
- Beam Angle 24D,36D, 45D PMMA Lens
- Tilttable Yes
- Ingress protection IP21
- Operation temperature 0-40C
- Protection Class III
- LED Lifetime 50,000h L70B10
- Finishing White RAL9003/Black RAL9005
- Construction Aluminum
- Installation Trimless, Ceiling Recessed
- Dimension 199x109mm/Cutout 201x103mm
- LED Driver Remote

### Electronic control gear

NON-DIM/Dimmable

**IDP** MP series

1-10V/0-10V/DALI

**IDP** SC series

Other brand is available upon request

\*Use IDP multi-power LED Driver can trim down the output power according to actual application.

### Light Distribution For 3000K

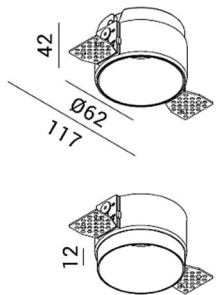
medium 31°

h(m)	E(lx)	ø(m)
1	2270	ø0.55
2	567.5	ø1.11
3	252.2	ø1.66
4	141.9	ø2.22
5	90.81	ø2.77

\*\*The specification is subject to change without note.\*\*

## RETROFIT/TRIMLESS/ANTI-GLARE/TWO LEVELS

**Model: RR-DL2248**



### Feature:

- Trimless design
- Two levels installation
- Very low glare design

### General data:

- |                      |   |
|----------------------|---|
| ▪ Use location       | Interior  |
| ▪ Class/Light source | GU10 (230V, Class II)<br>GU5.3 (12V, Class III)<br>LED Module<br>(250mA/36V, Class III) |
| ▪ Tiltable           | No  |
| ▪ IP Rating          | 21  |
| ▪ Major Material     | Aluminum  |
| ▪ Cut-out            | 75mm  |
| ▪ Installation       | Recessed  |
| ▪ Fixture Finishes   | White/Black   |
| ▪ Baffle Finishes    | --  |

### Accessories (optional):

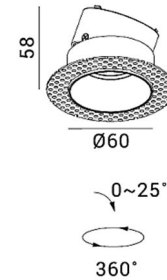
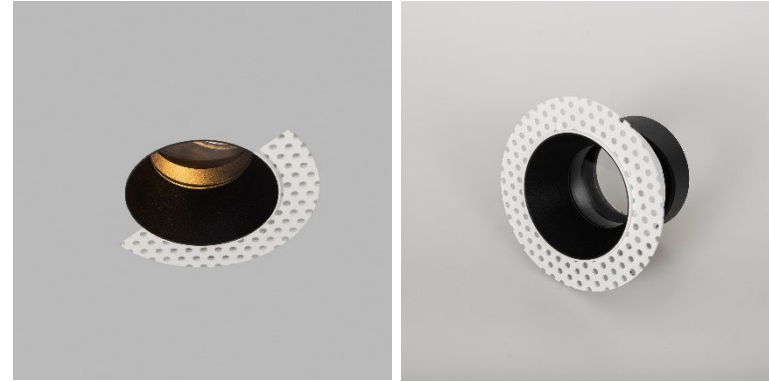
Glass Diffuser  
Honeycomb Louver

### Compatible:



## RETROFIT/TRIMLESS/ANTI-GLARE/TILTABLE

**Model: RR-DL2518**



### Feature:

- Trimless design
- Interchangeable baffle
- Compact design

### General data:

- |                      |   |
|----------------------|---|
| ▪ Use location       | Interior  |
| ▪ Class/Light source | GU10 (230V, Class II)<br>GU5.3 (12V, Class III)<br>LED Module<br>(250mA/36V, Class III) |
| ▪ Tiltable           | No  |
| ▪ IP Rating          | 21  |
| ▪ Major Material     | Aluminum  |
| ▪ Cut-out            | 65mm  |
| ▪ Installation       | Recessed  |
| ▪ Fixture Finishes   | White/Black   |
| ▪ Baffle Finishes    | White/Black/Brushed<br>Brass/Bronze   |

### Accessories (optional):

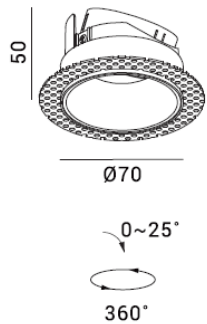
Glass Diffuser  
Honeycomb Louver

### Compatible:



**RETROFIT/TRIMLESS/ANTI-GLARE/TILTABLE**

**Model: RR-DL3489**



**Feature:**

- Trimless design
- Module design
- Very low glare design

**General data:**

- Use location Interior
- Class/Light source GU10 (230V, Class II)  
GU5.3 (12V, Class III)  
LED Module  
(250mA/36V, Class III)
- Tiltable No
- IP Rating 21
- Major Material Aluminum
- Cut-out 75mm
- Installation Recessed
- Fixture Finishes White/Black
- Baffle Finishes White/Black

**Accessories (optional):**

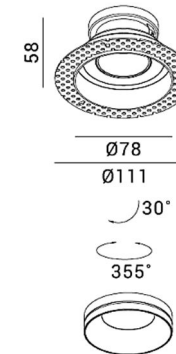
Honeycomb Louver

**Compatible:**



**RETROFIT/TRIMLESS/ANTI-GLARE/TILTABLE**

**Model: RR-DL1272**



**Feature:**

- Trimless design
- Interchangeable baffle
- Compact design

**General data:**

- Use location Interior
- Class/Light source GU10 (230V, Class II)  
GU5.3 (12V, Class III)  
LED Module  
(250mA/36V, Class III)
- Tiltable No
- IP Rating 21
- Major Material Aluminum
- Cut-out 82mm
- Installation Recessed
- Fixture Finishes White/Black
- Baffle Finishes White/Black/Brushed  
Brass/Bronze

**Accessories (optional):**

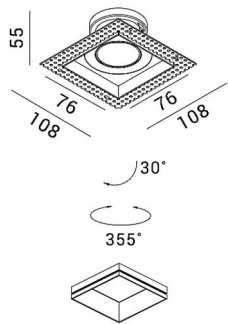
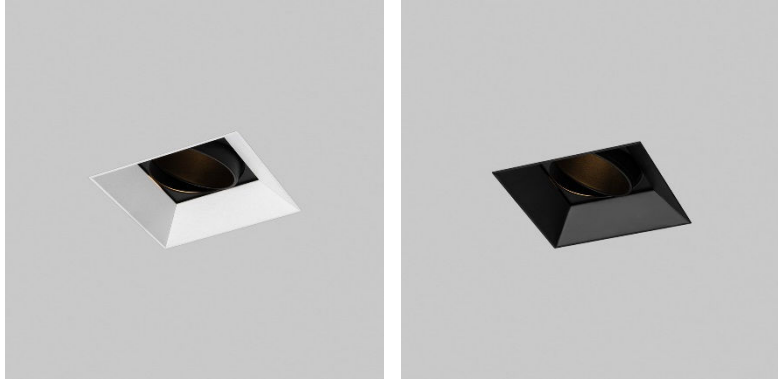
Glass Diffuser  
Honeycomb Louver

**Compatible:**



**RETROFIT/TRIMLESS/ANTI-GLARE/TILTABLE**

**Model: SR-DL1271**



**Feature:**

- Trimless design
- Interchangeable baffle
- Compact design

**General data:**

- Use location Interior
- Class/Light source GU10 (230V, Class II)  
GU5.3 (12V, Class III)  
LED Module  
(250mA/36V, Class III)
- Tiltable No
- IP Rating 21
- Major Material Aluminum
- Cut-out 82x82mm
- Installation Recessed
- Fixture Finishes White/Black
- Baffle Finishes White/Black/Brushed  
Brass/Bronze

**Accessories (optional):**

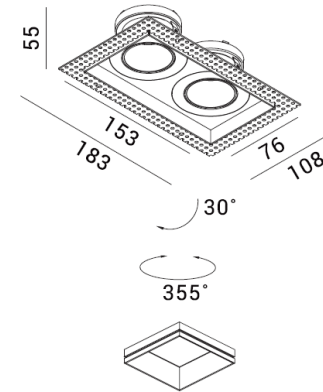
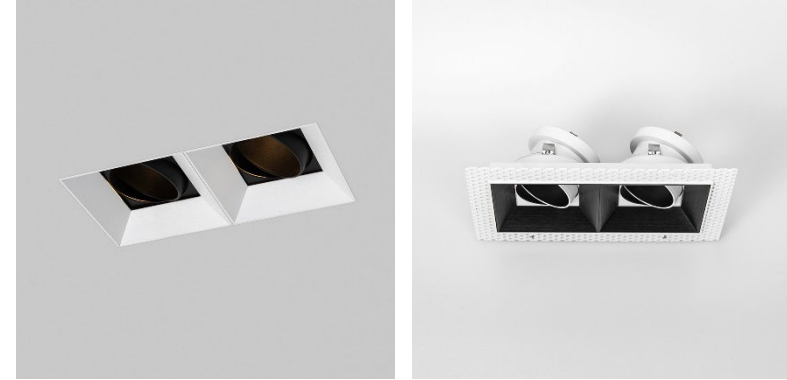
- Glass Diffuser
- Honeycomb Louver

**Compatible:**



**RETROFIT/TRIMLESS/ANTI-GLARE/TILTABLE/TWIN**

**Model: SR-DL1275**



**Feature:**

- Trimless design
- Interchangeable baffle
- Compact design

**General data:**

- Use location Interior
- Class/Light source GU10 (230V, Class II)  
GU5.3 (12V, Class III)  
LED Module  
(250mA/36V, Class III)
- Tiltable No
- IP Rating 21
- Major Material Aluminum
- Cut-out 160x82mm
- Installation Recessed
- Fixture Finishes White/Black
- Baffle Finishes White/Black/Brushed  
Brass/Bronze

**Accessories (optional):**

- Glass Diffuser
- Honeycomb Louver

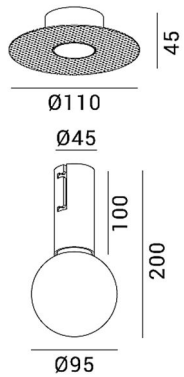
**Compatible:**





## RETROFIT/TRIMLESS/ANTI-GLARE/TWO LEVELS

**Model: RR-DL3603**



### Feature:

- Classic design
- Two levels installation
- E27 base

### General data:

- Use location Interior
- Class/Light source E27 (230V, Class II)
- Tiltable No
- IP Rating 21
- Major Material Aluminum
- Cut-out 55mm
- Installation Recessed
- Fixture Finishes White/Black
- Baffle Finishes --

### Accessories (optional):

--

### Compatible:



E27

G93

G120