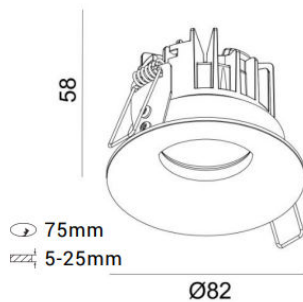


CURVE/SPOT LIGHT/FIXED/ANTI-GLARE

Model: RR-DL3581



Feature:

- Anti-Glare
- Compact design
- Reflector in different beam angles

Technical data:

- Light source COB Chip, Citizen or others
- LED Power (max.) 9W (250mA@36V)
- System Power (ref.) 11W (ref. only depends on the ECG)
- Lumen flux (typ.) 700lm
- Colour temperature 2700K, 3000K, 4000K
- Colour rendering index $Ra \geq 90$
- MacAdam Step 3
- Beam Angle 24D, 45D, 60D Reflector
- Tilttable No
- Ingress protection IP54
- Operation temperature 0-40C
- Protection Class III
- LED Lifetime 50,000h L70B10
- Finishing White RAL9016/Black RAL9005
- Construction Aluminum, Polycarbonate
- Installation Ceiling Recessed, spring type
- Dimension 82mm(OD)x58mm(H)/Cutout 75mm
- LED Driver Remote
- Trimless version No

Electronic control gear

NON-DIM/Dimmable

IDP MP series

1-10V/0-10V/DALI

IDP SC series

Other brand is available upon request

*Use IDP multi-power LED Driver can trim down the output power according to actual application.

LIGHT DISTRIBUTION for 3000K

wide 57°

h(m)	E(lx)	Ø(m)
1	1002	Ø0.67
2	250.6	Ø1.35
3	111.4	Ø2.02
4	62.65	Ø2.70
5	40.10	Ø3.37

****The specification is subject to change without note.****