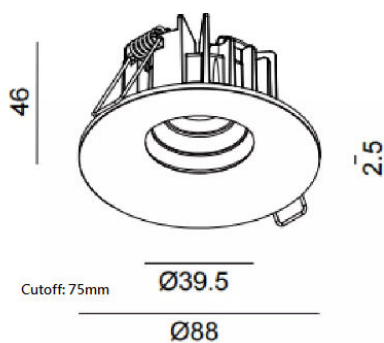


CURVE/SPOT LIGHT/FIXED/ANTI-GLARE

Model: RR-DL3610



Feature:

- Compact Design
- Stylish Arc appearance
- Anti-glare design

Technical data:

▪ Light source	Luminus COB or others
▪ LED Power (max)	7.2W (200mA, 36V)
▪ System Power (ref.)	9W (ref. only depends on the ECG)
▪ Lumen flux (typ.)	650lm
▪ Colour temperature	2700K, 3000K, 4000K
▪ Colour rendering index	Ra \geq 90
▪ MacAdam Step	3
▪ Beam Angle	15D, 24D, 36D Reflector
▪ Tilttable	No
▪ Ingress protection	IP44
▪ Operation temperature	0-40C
▪ Protection Class	III
▪ LED Lifetime	50,000h L70B10
▪ Finishing	White RAL9003/Black RAL9005
▪ Construction	Aluminum
▪ Installation	Ceiling Recessed, spring type
▪ Dimension	88mm(OD)x46mm(H)/Cutout 75mm
▪ LED Driver	Remote
▪ Trimless version	Yes, Please check with sale in detail

Electronic control gear

NON-DIM/Dimmable	IDP MP series
1-10V/0-10V/DALI	IDP SC series
	Other brand is available upon request

*Use IDP multi-power LED Driver can trim down the output power according to actual application.

LED output power table (used IDP MP18 Electronic control gear)

Drive current @150mA	5.4W (ref.)
Drive current @200mA	7.2W (ref.)

****The specification is subject to change without note.****